

EQUIP. TYPE *R-390A/URR* EXP. NO.

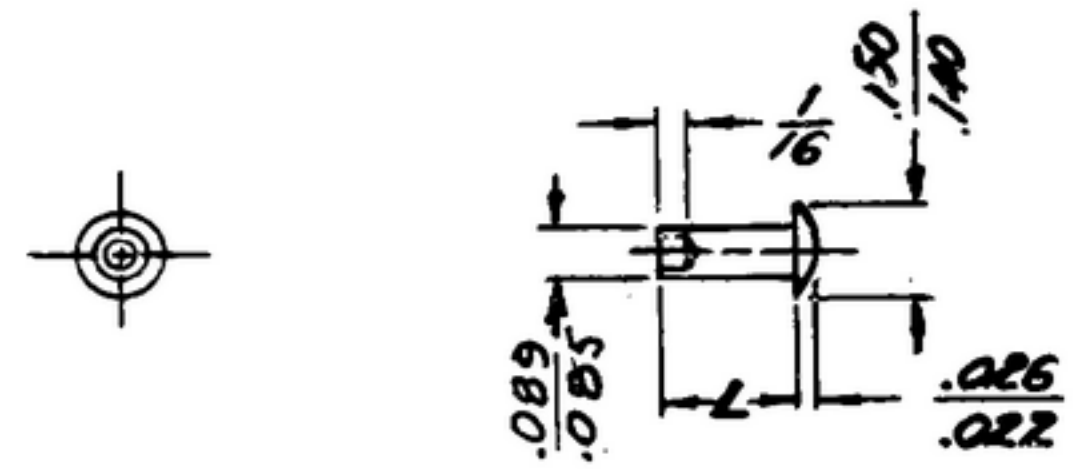
*506-305-0163, 0171, 0172, 00*

NOTICE: WHEN GOVERNMENT DRAWINGS, SPECIFICATIONS, OR OTHER DATA ARE USED FOR ANY PURPOSE OTHER THAN IN CONNECTION WITH A DEFINITELY RELATED GOVERNMENT PROCUREMENT OPERATION, THE UNITED STATES GOVERNMENT THEREBY INCURS NO RESPONSIBILITY AND ANY OBLIGATION WHATSOEVER; AND THE FACT THAT THE GOVERNMENT MAY HAVE FORMULATED, PUBLISHED, OR IN ANY WAY SUPPLIED THE SAID DRAWINGS, SPECIFICATIONS, OR OTHER DATA IS NOT TO BE REGARDED AS IMPLICATION OR OTHERWISE AS IN ANY MANNER LICENSING THE HOLDER OR ANY OTHER PERSON OR CORPORATION, OR CONVEYING ANY RIGHTS OR PERMISSION TO MANUFACTURE, USE, OR SELL ANY PATENTED INVENTION THAT MAY IN ANY WAY BE RELATED THERETO.

THIS DOCUMENT HAS BEEN PURCHASED BY THE GOVERNMENT AND MAY BE REPRODUCED AND USED IN CONNECTION WITH ANY GOVERNMENT PROCUREMENT OR MAINTENANCE OPERATION.

\* FOR INFORMATION ONLY. CONTRACTOR MAY AT HIS OPTION DEVIATE FROM THESE PROCESS DETAILS.

| REVISIONS                |  |                       |                              |  |
|--------------------------|--|-----------------------|------------------------------|--|
| SYM                      | DESCRIPTION  | DATE                  | APPROVAL                     |  |
| <del>A<sub>1</sub></del> | <del>A<sub>1</sub> ADDED TO NOTE RIVET NO. 2-089</del> | <del>13 NOV. 59</del> | <del>42428-PC 59-A1-51</del> |  |
| <del>A<sub>2</sub></del> | <del>A<sub>2</sub> APPL. REVISED</del>                 |                       | <del>REV'D</del>             |  |
| B <sub>1</sub>           | B <sub>1</sub> ADDED DASH -4 TO CHART LENGTH 5/32      | 15 JUNE 60            | 42428-PC 59                  |  |
|                          |  |                       | REV'D<br>PME                 |  |



| COLLINS NUMBER          | DASH No.                 | LENGTH ±.010    |
|-------------------------|--------------------------|-----------------|
| <del>559 0442 002</del> | <del>SM-B-283266-1</del> | <del>3/32</del> |
| <del>559 0443 002</del> | <del>-2</del>            | <del>3/16</del> |
| <del>559 0444 002</del> | <del>-3</del>            | <del>7/32</del> |
|                         | <del>-4</del>            | <del>5/32</del> |

(B<sub>1</sub>)

NOTES:  
 (A<sub>1</sub>) PART AS SUPPLIED BY CHICAGO RIVET & MACHINE CO. BELLWOOD, ILL  
 RIVET NO. 2-089, TYPE NO. R4008, OR EQUAL, PROVIDING IT MEETS THE FOLLOWING REQUIREMENTS AND DIMENSIONS SHOWN.

MATERIAL: ALUMINUM  
 FINISH: E 513 PER SPEC MIL-F-14072

| COLLINS PART NO.                         | ITEM | QTY | PART NO. | DESCRIPTION | DATE | MATERIAL SPEC. |
|--|------|-----|----------|-------------|------|----------------|
| LIST OF MATERIAL                         |      |     |          |             |      |                |
| COLLINS PART NO. <del>559 0442 002</del> |      |     |          |             |      |                |

|             |   |           |          |   |               |  |
|-------------|---|-----------|----------|---|---------------|--|
|             | DRAWN   | CHECKED   | APPROVED | COLLINS RADIO CO.<br>OSCAR RAPIDS IOWA<br>14214 - PH -<br>51-93 | RIVET-TUBULAR | DEPARTMENT OF THE ARMY<br>SIGNAL CORPS ENGINEERING<br>LABORATORIES<br><br>FORT MONMOUTH NEW JERSEY |
|             | <i>RDG</i>  | <i>RM</i> |          | SIGNAL CORPS  |               |  |
|             | UNLESS OTHERWISE SPECIFIED:<br>DECIMAL DIMENSIONS INCLUDING HOLE SIZES MAY VARY ±.005<br>FRACTIONAL DIMENSIONS INCLUDING HOLE SIZES MAY VARY ±1/64<br>MACHINED ANGLES MAY VARY ±1°<br>SHEARED ANGLES MAY VARY ±.25°<br>BROKEN ANGLES MAY VARY ±1°<br>ECCENTRICITY BETWEEN ANY DIAMETERS ON THE SAME CENTERLINE SHALL NOT EXCEED .010 TOTAL INDICATOR READING.<br>ALL DIMENSIONS ARE FINISH DIMENSIONS INCLUDING APPLIED FINISH AND ARE GIVEN IN INCHES. |           |          | REVIEWED <i>PME</i>   |               |  |
|             |   |           |          | APPROVED <i>HLV</i><br><i>PME</i>                               |               |  |
| COLLINS NO. | CITY  | NEXT ASSY | USED ON  | DATE <i>17 JAN 1955</i>   | SCALE         | <i>SM-B-283266</i>   |

APPLICATION